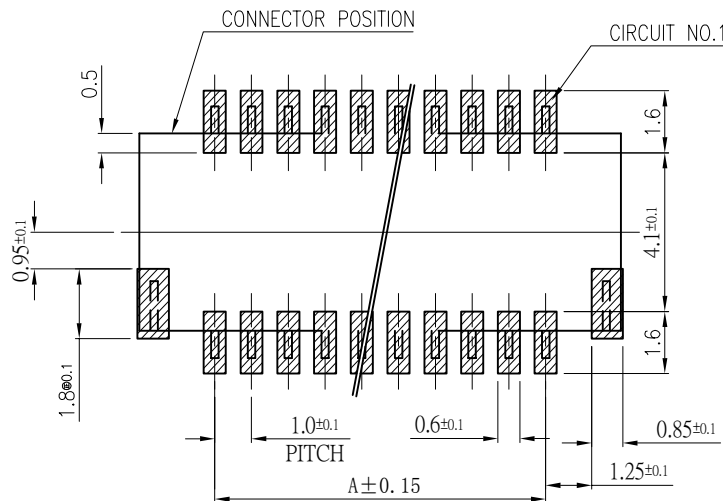
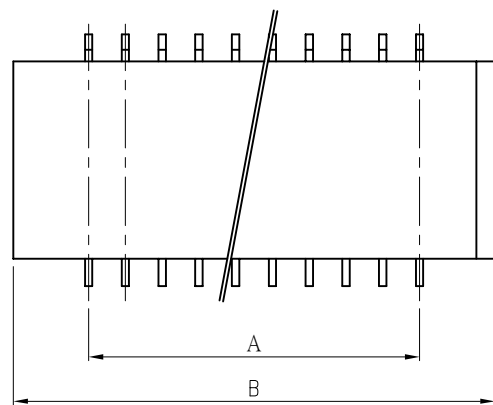


Specifications:
 Housing: LCP UL94-V0 Color: Nature
 Contact: Phosphor Bronze Gold OR Tin Plated
 Current Rating: 1A AC/DC
 Withstand Voltage: 50V AC/Minute
 Operating Temperature: $-25^{\circ}\text{C} \sim +85^{\circ}\text{C}$



PCB PATTERN LAYOUT

CKT	Dim A	Dim B	Dim C
20	9.0	13.1	10.4
30	14.0	18.1	15.4
40	19.0	23.1	20.4

一般公差
 TOLERANCES
 X. ± 0.40 .XX ± 0.20
 .X ± 0.30 .XXX ± 0.10
 ANGLES $\pm 2^{\circ}$

深圳市宏利电子有限公司
 Shenzhen Holy Electronic Co.,Ltd

检验尺寸标示
 SYMBOLS \odot \ominus INDICATE
 CLASSIFICATION DIMENSION

工程图号 WTB1055CW-2*nP 制图(DR) '08/5/16
 品名 母座 审核(CHKD)

\odot MARK IS CRITICAL DIM.
 \ominus MARK IS MAJOR DIM.

TITLE 1.0mm Wire To Board H5.5 Connector 核准(APPD) Rigo Lu

表面处理 (FINISH)

比例 (SCALE) 1:1 单位 (UNITS) mm 张数 (SHEET) 1 OF 1 SIZE A4 REV 0

修订 REV	修改摘要 REVISION DESCRIPTION	日期 DATE	签名 SIGNATURE
-	-	-	-